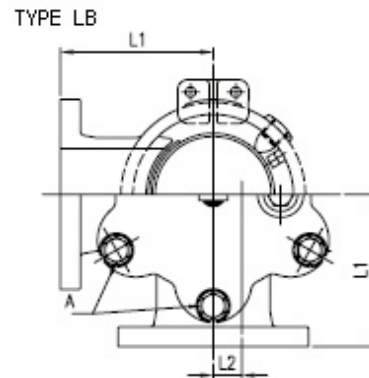
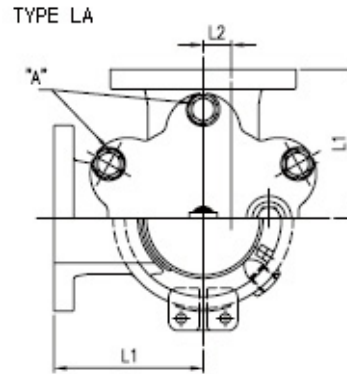
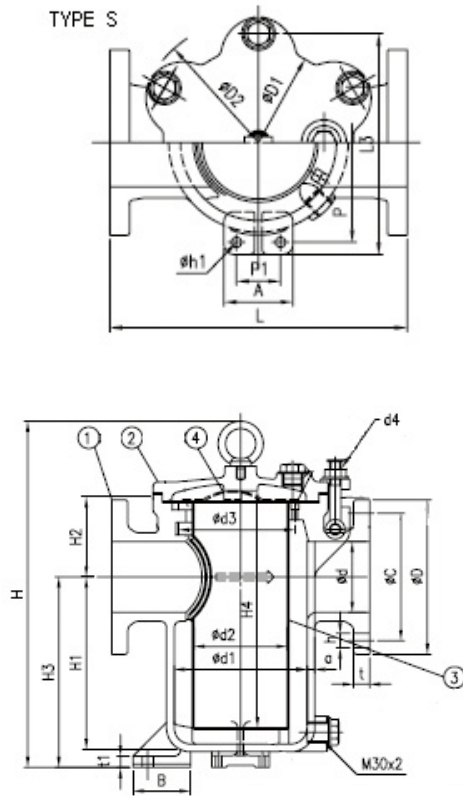




# MARINE CAST IRON CAN WATER FILTER - JIS F7121 (2)

(dia. 125A to 400A)



No.	Component	Material
1	Body	FC200
2	Cover	FC200
3	Strainer Cylinder	SS400 or SUS304
4	Handle of strainer	SUP3

Nominal dia.	Test Pressure Mpa[kgf/cm <sup>2</sup> ]
25A to 400A	0.3 [3]

Fluid condition	MAX working pressure Mpa[kgf/cm <sup>2</sup> ]
	0.2 [2]

Size	d	L	L1	L2	Flange					H	Body				Strainer cylinder		kg
					D	C	No.	h	t		d1	H1	H2	H3	d2	H4	
125A	125	400	200	30	235	200	8	19	20	485	215	207	125	235	165	295	62.2
150A	150	460	230	35	265	230	8	19	22	575	260	258	145	290	200	380	88.6
200A	200	550	275	50	320	280	8	23	24	665	320	320	170	350	250	440	141
250A	250	680	340	60	385	345	12	23	26	825	420	412	210	450	330	565	246
300A	300	760	380	70	430	390	12	23	28	920	480	473	235	515	380	645	321
350A	335	820	410	75	480	435	12	25	30	1030	535	529	265	575	420	780	428
400A	380	880	440	80	540	495	16	25	30	1135	595	595	300	645	470	830	518